

M9220-xxx-3 Electric Spring Return Actuators

Product Bulletin

Code No. LIT-12011057
Issued November 2019

The M9220-xxx-3 Actuators are direct mount, spring return electric actuators that operate on these available power options:

- AC 24 V at 50/60 Hz or DC 24 V (AGx, BGx, GGx, HGx)
- AC 120 V at 60 Hz (BAx)
- AC 230 V at 50/60 Hz (BDx)

These bidirectional actuators do not require a damper linkage and are easily installed on dampers with 1/2 to 3/4 in. or 12 to 19 mm round shafts, or on dampers with 3/8 and 1/2 in. or 10, 12, and 14 mm square shafts, using the standard shaft clamp included with the actuator. An optional M9220-600 Jackshaft Coupler Kit is available for 3/4 to 1-1/16 in. or 19 to 27 mm round shafts, or 5/8 and 3/4 in. or 16, 18, and 19 mm square shafts.

A single M9220-xxx-3 Electric Spring Return Actuator provides a running and spring return torque of 177 lb·in (20 N·m). Two or three models mounted in tandem deliver twice or triple the torque (354 lb·in [40 N·m] or 531 lb·in [60 N·m]). Integral line voltage auxiliary switches are available on the xxC models to indicate end-stop position or to perform switching functions within the selected rotation range.

Figure 1: M9220-xxx-3 Electric Spring Return Actuator



Table 1: Features and Benefits (Part 1 of 2)

Features	Benefits
Available Torques of 177 lb·in (20 N·m) for Single Actuators, 354 lb·in (40 N·m) for Two Models, and 531 lb·in (60 N·m) for Three Models Mounted in Tandem	Offer a selection that is most suitable for the application.
Reversible Mounting Design	Simplifies installation and enables the actuator to spring return in either direction.
Electronic Stall Detection throughout Entire Rotation Range	Extends the life of the actuator by deactivating the actuator motor when an overload condition is detected.
Removable Coupler	Adapts to a shorter damper shaft.
Integral 48 in. (1.2 m) Halogen-Free Cables with Colored and Numbered Conductors	Simplify field wiring.
Integral Auxiliary Switches (xxC Models)	Provide one fixed and one adjustable switch point with line voltage capability.
NEMA 2 (IP54) Rated Aluminum Enclosure	Protects the internal components of the actuator from dirt and moisture.

Table 1: Features and Benefits (Part 2 of 2)

Features	Benefits
Easy-to-Use Locking Manual Override with Auto Release and Crank Storage	Allows for manual positioning of the actuator hub.
Integral Connectors for 3/8 in. (10 mm) Flexible Metal Conduit	Simplify installation and field wiring.
Override Control (Proportional Models Only)	Supports control system override applications through field wiring.
Microprocessor-Controlled Brushless DC Motor (-AGx, -GGx, and -HGx Types)	Provides constant run-time independent of torque.

Product Overview

The M9220-xxx-3 Electric Spring Return Actuators provide reliable control of dampers and valves in HVAC systems.

IMPORTANT: Use this M9220-xxx-3 Electric Spring Return Actuator only to control equipment under normal operating conditions. Where failure or malfunction of the electric actuator could lead to personal injury or property damage to the controlled equipment or other property, additional precautions must be designed into the control system. Incorporate and maintain other devices such as supervisory or alarm systems or safety or limit controls intended to warn of, or protect against, failure or malfunction of the electric actuator.

IMPORTANT: Do not install or use this M9220-xxx-3 Electric Spring Return Actuator in or near environments where corrosive substances or vapors could be present. Exposure of the electric actuator to corrosive environments may damage the internal components of the device, and will void the warranty.

Operation

The M9220-xxx-3 Actuators are available for use with on/off, floating, and proportional controllers.

On/Off Control (M9220-Bxx-3 Actuators)

When power is applied, the actuator drives open and the output hub rotates against the spring from -5 to 90°. The actuator is electronically overload protected should the actuator stall before reaching 90°. It holds position at the end of the stroke until power is removed. When power is removed, the actuator spring returns to the -5° position.

An M9220-603 adjustable stop kit is available to limit the stroke of the actuator between 30 and 90° in 5° increments. M9220-BxC-3 actuators include two integral Single-Pole, Double-Throw (SPDT) auxiliary switches. One switch is set to trip at 11° since the actuator is spring-return closed.

Floating Control (M9220-Axx-3 Actuators)

Note: The information in this section assumes that Side A of the actuator (Counterclockwise [CCW] spring return) is facing you and the Direct Acting/Reverse Acting (DA/RA) selector switch is set in the DA position.

The actuator receives power by applying AC/DC 24 V between the black (common) and red (+AC/DC 24 V) wires. A controller applies power between the black and gray or black and orange wires to command the actuator to drive Clockwise (CW) or CCW at a constant speed, independent of load.

Applying AC/DC 24 V between the black and gray wires causes the actuator to drive CW from -5 toward 90° at a constant speed, independent of load. The time required to drive full stroke from 0 to 90° is nominally 150 seconds. When AC/DC 24 V power between the black and gray wires is removed, the actuator stops and holds its position. The longer power is applied between the black and gray wires, the farther the actuator rotates toward the 90° position.

Applying AC/DC 24 V power between the black and orange wires causes the actuator to drive CCW toward the -5° position. The longer AC/DC 24 V power is applied between the black and orange wires, the farther the actuator travels toward the -5° position. When power between the black and orange wires is removed, the actuator stops and holds its position.

Changing the DA/RA switch from DA to RA reverses the direction the actuator drives when power is applied between the black and gray or black and orange wires. The actuator is overload protected, should it stall anywhere within its stroke. If the actuator stalls, it retries once after 2 minutes, assuming AC/DC 24 V is still applied.

If power is lost between the black (common) and red (+AC/DC 24 V) wires, the actuator spring returns to the -5° position. If power between the black and red wires is momentarily interrupted, the actuator drives to the -5° position and waits for the controller to command it in either the CW or CCW direction.

Proportional Control (M9220-GGx-3 Actuators)

Note: The information in this section assumes that Side A of the actuator (CCW spring return) is facing you and the control selector switch is set to the 0 ... 10 V CW position.

The actuator is powered with AC/DC 24 V power between the black (common) and red (+AC/DC 24 V) wires. A proportional controller provides a DC 0 to 10 V signal between the black (common) and gray (control signal input) wires.

As the control signal increases from DC 0 to 10 V, the actuator drives CW from the -5 to 90° position. The position at which the actuator stops is proportional to the control signal. The actuator provides about 120 steps of control.

As the signal decreases, the actuator reverses direction and drives CCW toward the -5° position. A DC 0 to 10 V feedback signal is provided between the black (common) and orange (DC 0 to 10 V feedback signal output) to indicate the position of the actuator.

The direction in which the actuator drives with an increasing control signal can be reversed by positioning the selector switch to the DC 0... 10 V CCW position. When the actuator is placed in this position, and it is at the 90° position with a DC 0 V control signal, the actuator proportionally drives to the -5° position as the control signal increases.

The actuator spring returns when power is interrupted between the black and red wires. When power returns, the actuator drives to the fully spring-return position to establish an end-of-stroke position, then drives to the position commanded by the DC 0 to 10 V controller.

This model has a selector switch that provides operation for DC 2 to 10 V controllers. This switch allows a CW or CCW rotation as the control signal increases from DC 2 to 10 V. The feedback signal between the black and orange wires changes to DC 2 to 10 V when the input signal selector is set to the DC 2...10 V CW or CCW position.

The M9220-GGx-3 actuators can be controlled by a DC 0 to 20 mA or DC 4 to 20 mA controller by placing a field furnished 1/4 watt 500 ohm resistor between the black (common) and orange (+DC 0[4] to 20 mA control signal input) wires.

Proportional Control/Adjustable (M9220-HGx-3 Actuators)

The M9220-HGx-3 actuators operate in a similar manner to the M9220-GGx-2 actuators, except the M9220-HGx-3 actuators have an adjustable start voltage, which can be programmed between DC 0 to 10 V. The span adjustment can be programmed between a DC 2 to 10 V range, allowing the actuator to operate between DC 0 to 20 V. The M9220-HGx-3 actuator is programmed in the factory for DC 0 to 10 V.

For this actuator, the feedback signal between the black and orange wires always provides a DC 0 to 10 V output, regardless of the start voltage or span selected.

Repair Information

A number of replacement parts are available; see Table 2 for more details. If the M9220-xxx-3 Electric Spring Return Actuator fails to operate within its specifications, replace the unit. For a replacement electric actuator, contact the nearest Johnson Controls® representative.

Ordering Information

Table 2: Electric Spring Return Actuator Models

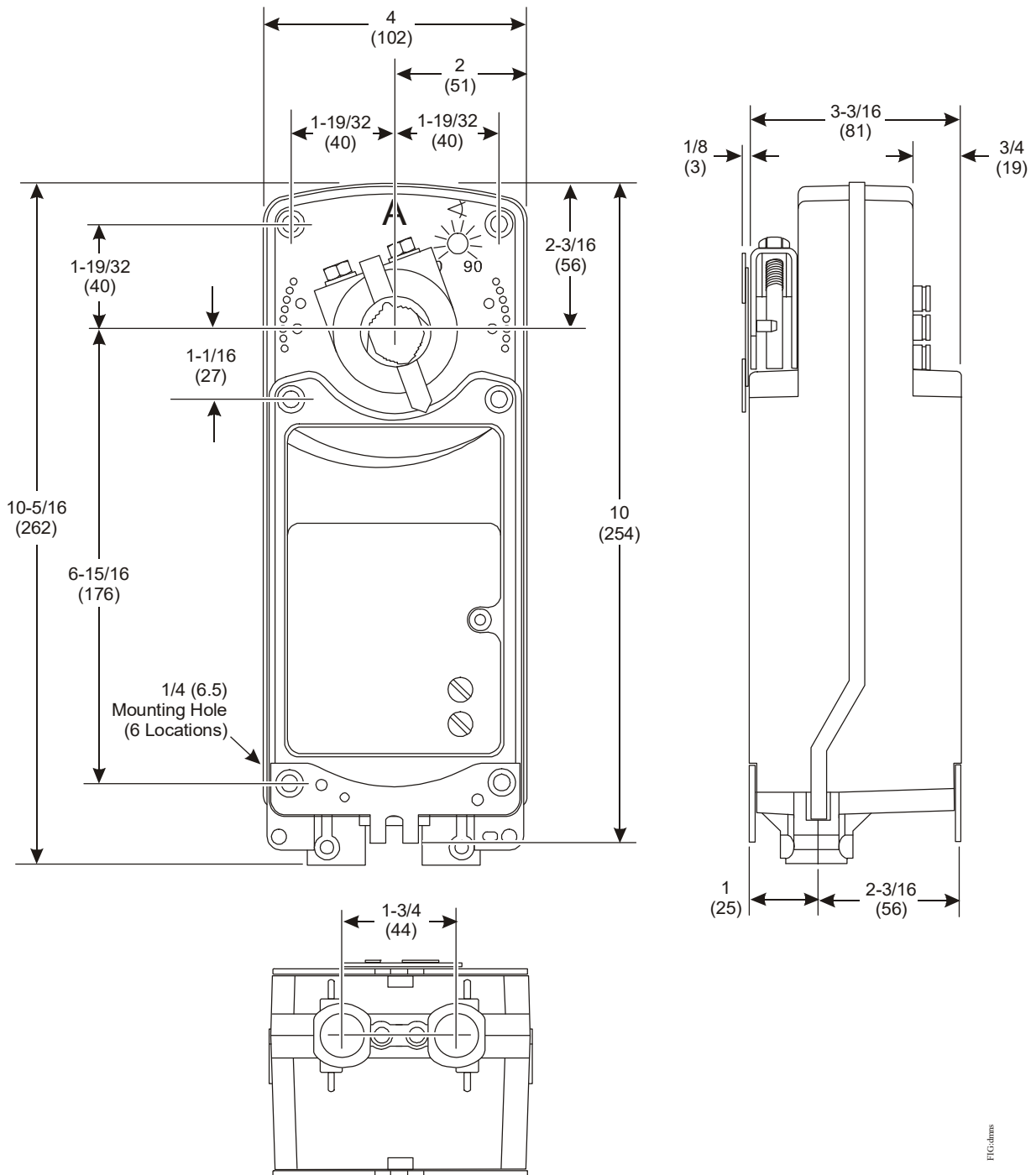
Code Number	Control Type	Auxiliary Switches	Power Requirements
M9220-AGA-3	Floating	None	AC 24 V at 50/60 Hz or DC 24 V
M9220-AGC-3	Floating	Two	AC 24 V at 50/60 Hz or DC 24 V
M9220-BAA-3	On/Off	None	AC 120 V at 60 Hz
M9220-BAC-3	On/Off	Two	AC 120 V at 60 Hz
M9220-BDA-3	On/Off	None	AC 230 V at 50/60 Hz
M9220-BDC-3	On/Off	Two	AC 230 V at 50/60 Hz
M9220-BGA-3	On/Off	None	AC 24 V at 50/60 Hz or DC 24 V
M9220-BGC-3	On/Off	Two	AC 24 V at 50/60 Hz or DC 24 V
M9220-GGA-3	Proportional	None	AC 24 V at 50/60 Hz or DC 24 V
M9220-GGC-3	Proportional	Two	AC 24 V at 50/60 Hz or DC 24 V
M9220-HGA-3	Proportional w/Adjustable Zero and Span	None	AC 24 V at 50/60 Hz or DC 24 V
M9220-HGC-3	Proportional w/Adjustable Zero and Span	Two	AC 24 V at 50/60 Hz or DC 24 V

Table 3: Accessories and Replacement Parts (Order Separately)

Code Number	Description
M9220-614	Replacement shaft gripper, 14 mm square shaft with locking slip
M9220-612	Replacement shaft gripper, 12 mm square shaft with locking clip
M9220-610	Replacement shaft gripper, 10 mm square shaft with locking clip
M9220-604	Replacement manual override cranks for M9220-xxx-3 Proportional Electric Spring Return Actuators (five per bag)
M9220-603	Adjustable Stop Kit for M9220-xxx-3 Proportional Electric Spring Return Actuators
M9220-602	Replacement locking clips for M9220-xxx-3 Proportional Electric Spring Return Actuators (five per bag)
M9220-601	Replacement Coupler Kit (with locking clip) for mounting M9220-xxx-3 Proportional Electric Spring Return Actuators on dampers with 1/2 to 3/4 in. or 12 to 19 mm round shafts, or 3/8 and 1/2 in. or 10, 12, and 14 mm square shafts
M9220-600	1 in. (25 mm) Jackshaft Coupler Kit (with locking clip) for mounting M9220-xxx-3 Proportional Electric Spring Return Actuators on dampers with 3/4 to 1-1/16 in. or 19 to 27 mm round shafts, or 5/8 and 3/4 in. or 16, 18, and 19 mm square shafts
M9000-604	Replacement Anti-rotation Bracket Kit (with screws) for M9220-xxx-3 Series Proportional Electric Spring Return Actuators
M9000-519	Valve linkage for mounting M9220 actuator to 2-1/2 to 6 in. flanged ball valves
M9000-320	Weather Shield Enclosure - NEMA 3R enclosure for protecting a single M9210/20 actuator from rain, sleet, or snow
M9000-171	Remote Mounting Kit, Vertical. Kit includes mounting bracket, M9000-153 Crank Arm, ball joint, and mounting bolts
M9000-170	Remote Mounting Kit, horizontal. Kit includes mounting bracket, M9000-153 Crank Arm, ball joint, and mounting bolts
M9000-158	Tandem Mounting Kit used to mount two models of M9220-xxx-3 Series Proportional Electric Spring Return Actuators
M9000-153	Crank arm
DMPR-KC003	7 in. (178 mm) Blade Pin Extension (without bracket) for Johnson Controls direct-mount damper applications Note: This product is available with the damper but can also be ordered separately.

DIMENSIONS

Figure 2: M9220-xxx-3 Electric Spring Return Actuator Dimensions, in. (mm)



Technical Specifications


M9220-xxx Series Electric Spring Return Actuators (Part 1 of 3)

Product Codes		M9220-AGx-3 Models: Floating M9220-Bxx-3 Models: On/Off M9220-GGx-3 Models: Proportional M9220-HGx-3 Models: Proportional Adjustable
Power Requirements	AGx, HGx, GGx Models	AC 24 V (19.2 to 30 V) at 50/60 Hz: Class 2, 15.5 VA running, 7.7 VA holding position; DC 24 V (21.6 to 26.4 V): Class 2, 6.7 W Running, 2.9 W holding position
	BAx Models	AC 120 V (AC 102 to 132 V) at 60 Hz: 0.25 A running, 0.13 A holding position
	BDx Models	AC 230 V (AC 198 to 264 V) at 50/60 Hz: 0.15 A Running, 0.09 A holding position
	BGx Models	AC 24 V (19.2 to 30 V) at 50/60 Hz: Class 2, 24.6 VA running, 7.7 VA holding position; DC 24 V (21.6 to 26.4 V): Class 2, 17.6 W running, 2.8 W holding position
Transformer Sizing Requirements	AGx, HGx, GGx Models	20 VA minimum per actuator
	Bxx Models	25 VA minimum per actuator
Input Signal/Adjustments	AGx Models	AC 19.2 to 30 V at 50/60 Hz or DC 24 V \pm 10%, Class 2; Switch selectable direct or reverse action with signal increase
	GGx Models	Factory Set DC 0 to 10 V, CW Rotation with signal increase; Selectable DC 0 (2) to 10 V or 0 (4) to 20 mA with field furnished 500 Ohm, 0.25 W minimum resistor; switch selectable direct or reverse action with signal increase
	HGx Models	Factory set DC 0 to 10 V, CW rotation with signal increase; Selectable DC 0 to 10 V or 0 to 20 mA with field furnished 500 Ohm, 0.25 W minimum resistor; Start point programmable DC 0 to 10 V; Span programmable DC 2 to 10 V; Switch selectable direct or reverse action with signal increase
Control Input Impedance	GGx, HGx Models	Voltage Input: 100,000 Ohms; Current Input: 500 Ohms with field furnished 500 ohm resistor
Feedback Signal	GGx Models	0 (2) to 10 VDC for desired rotation range up to 90°; Corresponds to rotation limits, 1 mA maximum
	HGx Models	0 to 10 VDC for desired rotation range up to 90°; Corresponds to rotation limits, 1 mA maximum
Auxiliary Switch Rating	xxC Models	Two Single-Pole, Double-Throw (SPDT), double-insulated switches with gold flash contacts: AC 24 V, 50 VA Pilot Duty; AC 120 V, 5.8 A Resistive, 1/4 hp, 275 VA Pilot Duty; AC 240 V, 5.0 A Resistive, 1/4 hp, 275 VA Pilot Duty
Spring Return		Direction is selectable with mounting position of actuator: Side A, actuator face away from damper for CCW spring return; Side B, actuator face away from damper for CW spring return
Running and Spring Return Torque		177 lb·in (20 N·m) for a single actuator; 354 lb·in (40 N·m) for two models mounted in tandem 531 lb·in (60 N·m) for three models mounted in tandem
Valid Tandem Combinations		Two M9220-Bxx-3 Three M9220-AGx-3 One M9220-HGx-3 Master with One or Two M9220-GGX-3 subordinates One M9220-GGx-3 Master with One or Two M9220-GGX-3 subordinates

M9220-xxx Series Electric Spring Return Actuators (Part 2 of 3)

Rotation Range		Adjustable from 30 to 90° CW or CCW with optional M9220-603 Adjustable Stop Kit; mechanically limited to 90°
Rotation Time Power On (Running)	AGx Models	150 seconds for 0 to 177 lb·in (0 to 20 N·m) at all operating conditions; independent of load
	HGx, GGx Models	150 seconds for 0 to 177 lb·in (0 to 20 N·m) at all operating conditions; independent of load 90 seconds for 0 to 177 lb·in (0 to 20 N·m) in calibration or override mode
	BGx Models	24 to 57 seconds for 0 to 177 lb·in (0 to 20 N·m) at all operating conditions; 35 seconds nominal at full rated load
Rotation Time Power Off (Spring Returning)	AGx, HGx, GGx Models	20 seconds for 0 to 177 lb·in (0 to 20 N·m) at room temperature
	BGx Models	11 to 15 Seconds for 0 to 177 lb·in (0 to 20 N·m) at room temperature; 35 seconds maximum for 0 to 177 lb·in (0 to 20 N·m) at -22°F (-30°C) 130 seconds maximum for 0 to 177 lb·in (0 to 20 N·m) at -40°F (-40°C)
Cycles		60,000 full stroke cycles; 1,500,000 repositions
Audible Noise Rating (AGx, HGx, GGx Models)	Power On (Running)	<40 dBA at 39-13/32 in. (1 m)
	Power On (Holding)	<20 dBA at 39-13/32 in. (1 m)
	Power Off (Spring Returning)	<55 dBA at 39-13/32 in. (1 m)
Audible Noise Rating (BGx Models)	Power On (Running)	<66 dBA at 39-13/32 in. (1 m)
	Power On (Holding)	<18 dBA at 39-13/32 in. (1 m)
	Power Off (Spring Returning)	<66 dBA at 39-13/32 in. (1 m)
Electrical Connections	Actuator (All Models)	48 in. (1.2 m) halogen-free cable with 18 AWG (0.75 mm ²) wire leads
	Auxiliary Switches (xxC Models)	48 in. (1.2 m) halogen-free cable with 18 AWG (0.75 mm ²) wire leads
Conduit Connections		Integral connectors for 3/8 in. (10 mm) flexible metal conduit
Mechanical Connections	Standard Shaft Clamp Included with Actuator	1/2 to 3/4 in. or 12 to 19 mm diameter round shafts, or 3/8 and 1/2 in. or 10, 12, and 14 mm square shafts
	Optional M9220-600 Jackshaft Coupler Kit	3/4 to 1-1/16 in. or 19 to 27 mm diameter round shafts, or 5/8 and 3/4 in. or 16, 18, and 19 mm square shafts
Aluminum Enclosure		NEMA 2 (IP54) for all mounting orientations
Ambient Conditions	Operating	-40 to 131°F (-40 to 55°C); 90% RH maximum, noncondensing
	Storage	-85 to 185°F (-65 to 85°C); 95% RH maximum, noncondensing
Dimensions		See Figure 2.

M9220-xxx Series Electric Spring Return Actuators (Part 3 of 3)

	North America	UL Listed, CCN XAPX, File E27734; to UL 60730-1, Automatic Controls for Household and Similar Use: and UL 60730-2-14 Part 2, Particular Requirements for Electric Actuators (Models: All)
	Canada	UL Listed, CCN XAPX7, File E27734; to CAN/CSA E60730-1, Automatic Controls for Household and Similar Use: and CAN/CSA E60730-2-14 Part 2, Particular Requirements for Electric Actuators (Models: All)
	Europe	CE Mark - Johnson Controls, Inc. declares that this product is in compliance with the essential requirements and other relevant provisions of the EMC Directive and Low Voltage Directive.
	Australia and New Zealand	RCM Mark, Australia/NZ Emissions Compliant (Models: All M9220-xGx and M9220-xDx)
Shipping Weight	xGx Models	6.4 lb (2.9 kg)
	Bx and BDx Models	7.6 lb (3.5 kg)

The performance specifications are nominal and conform to acceptable industry standards. For application at conditions beyond these specifications, consult the local Johnson Controls office. Johnson Controls, Inc. shall not be liable for damages resulting from misapplication or misuse of its products.

Product warranty

This product is covered by a limited warranty, details of which can be found at www.johnsoncontrols.com/buildingswarranty.

Patent

Patents: <http://jciapat.com>

Contact information

Region	Group	Contact information
Global	Johnson Controls	jciorder@jci.com 1-800-275-5676; Option 1: Order Support
North America	PENN Controls	applieddxsalessupport@jci.com
	Verasys Controls	sales@triatek.com 1-888-424-1922 1-770-242-1922
	Triatek	www.triatek.com/contact 1-888-424-1922 1-770-242-1922

Sales support

Region	Group	Contact information
North America	Product Sales Support	jciorder@jci.com 1-800-275-5676; Option 1: Order Support
	Applied DX Sales Support	applieddxsalessupport@jci.com
	Triatek Sales Support	sales@triatek.com 1-888-424-1922 1-770-242-1922

Single point of contact

APAC	Europe	NA/SA
JOHNSON CONTROLS C/O CONTROLS PRODUCT MANAGEMENT NO. 32 CHANGJIJANG RD NEW DISTRICT WUXI JIANGSU PROVINCE 214028 - CHINA	JOHNSON CONTROLS WESTENDHOF 3 45143 ESSEN GERMANY	JOHNSON CONTROLS 507 E MICHIGAN ST MILWAUKEE WI 53202 USA

For more contact information, refer to www.johnsoncontrols.com/locations.



Building Technologies & Solutions

Headquarters: Milwaukee, Wisconsin, USA

Johnson Controls® is registered trademark of Johnson Controls.

All other marks herein are the marks of their respective owners.

© Copyright 2019 Johnson Controls. All rights reserved. Any unauthorized use or copying is strictly prohibited.