

P352AB

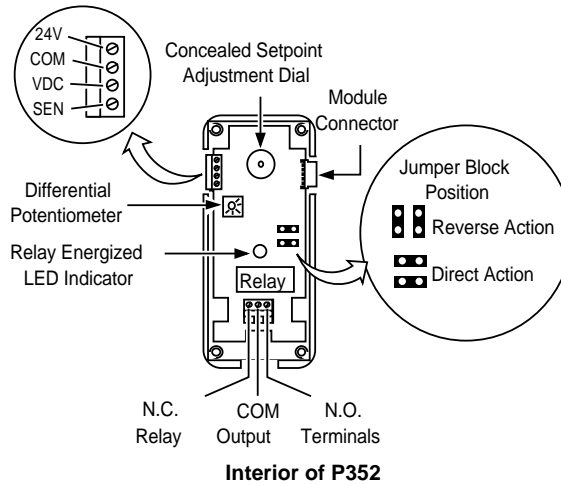
Electronic On/Off Pressure Control

Description

The P352AB Electronic On/Off Pressure Control features SPDT relay output and LED indication. This control is used in conjunction with a pressure transducer and wiring harness. The pressure range is 0 to 600 psig with adjustable differential and offset ranges.

The P352AB control can be used as a standalone device or in conjunction with accessory modules to control a wide variety of single and multi-stage HVAC and refrigeration applications.

The Y350 Power Module, S352 Stage Module, and D352 Display Module can be used with the P352AB.



p3521.eps



P352

Features

- field selectable reverse/direct acting mode
- adjustable setpoint, differential, and offset capabilities
- wall or DIN rail mounting
- stage (S352), display (D352), and power (Y350R) modules plug-together via 5-pin connectors

Applications

- condenser fan cycling
- compressor unloading
- high pressure indication

Selection Chart

Code Number	Output	Pressure Range (psig)	Differential (psi)	Pressure Transducer and Cable	Display
P352AB-2C	SPDT Relay	0 to 100	2 to 50	P499RAP-101K or P499RCP-101K	D352AA-2C
P352AB-3C		90 to 250	10 to 100	P499RAP-105K or P499RCP-105K	
P352AB-4C		240 to 600		P499RAP-107K or P499RCP-107K	

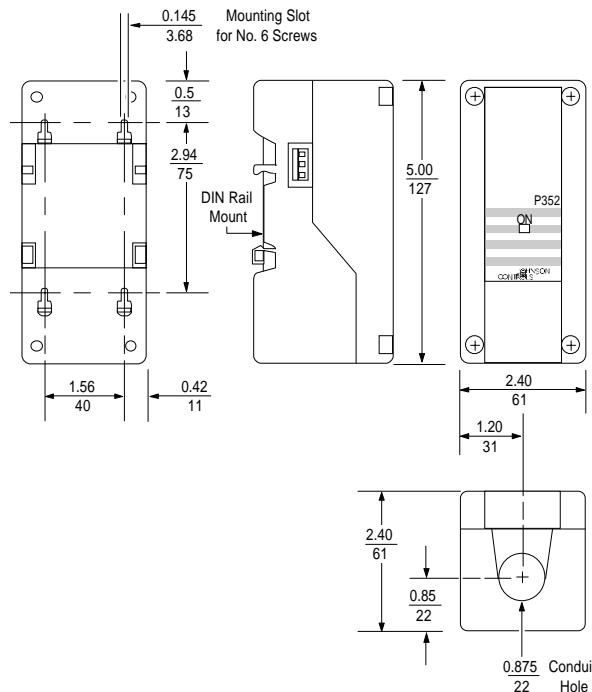
Technical Specifications

P352AB Electronic On/Off Pressure Control		
Supply Voltage ¹	Transformer	20 to 30 VAC, 50/60 Hz, Class 2
	Y350R	120/240 VAC, 50/60 Hz
Power Consumption		2.3 VA Maximum
DC Power Supply	P352AB-2C P352AB-3C P352AB-4C	5 VDC provided to pressure transducer
Relay		SPDT enclosed relay, contacts rated at 10 amp non-inductive 1/2 hp 120/240 VAC
Case and Cover Material		NEMA 1, high-impact thermoplastic
Ambient Temperature	Operating	-30 to 150°F (-34 to 66°C)
	Shipping	-40 to 185°F (-40 to 85°C)
Ambient Humidity		0 to 95% RH non-condensing

1. Only one input voltage source may be used.

Relay Contact Ratings

Voltage AC	120	208/240
Full Load Amp	9.8	4.9
Locked Rotor Amp	58.8	29.4
Non-Inductive Amp 10 at 24/240 VAC		
Pilot Duty – 125 VA at 24/240 VAC		



p3522.eps

P352 Dimensions, in. (mm)