



P20 Series Air Conditioning/Pressure Cutout Control Catalog Page

Description

The P20 Series are field replacement high and low pressure controls for non-corrosive refrigerants. They include a dust-tight contact unit with quick connect connectors, and a 36 in. or 42 in. capillary with 1/4 in. sweat section. The setpoint is screwdriver adjustable.

Refer to the *P20, P21 Series Air Conditioning Limit Controls Product Bulletin (LIT-125415)* for important product application information.

Features

- accurate repeatability
- compact size
- trip-free manual reset

Applications

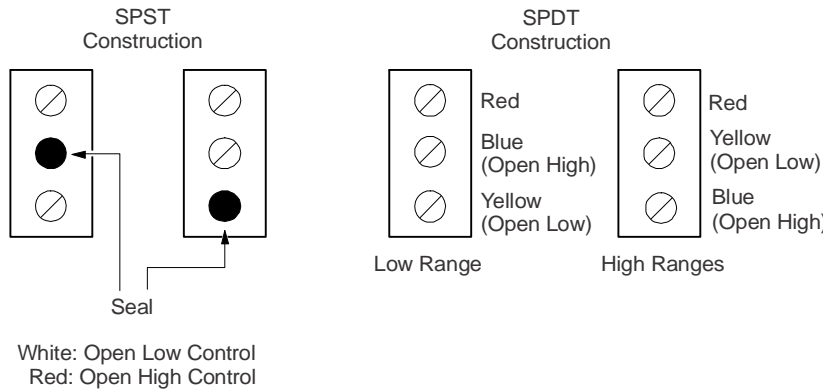
- air conditioning high/low pressure control
- refrigeration high/low pressure control
- head pressure control

Repair Information

If the P20 Series Air Conditioning/Pressure Cutout Control fails to operate within its specifications, replace the unit. For a replacement control, contact the nearest Johnson Controls® representative.



P20DB-1 Air Conditioning/Pressure Cutout Control

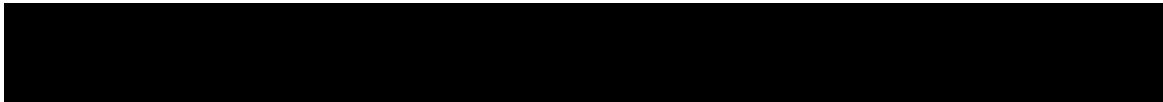


Control action is identified by colored sealing compound or terminal markings on switch.

Selection Chart

Product Code Number ¹	Pressure Connections	Switch Action	Range psi (kPa)	Differential psi (kPa)	Factory Setting, psig (kPa)		Max. Bellows Pressure psig (kPa)	Max. Temp.
					Opens	Closes		
P20BB-1C ²	36 in. capillary 1/4 in. sweat tube	Open on fall	7 to 150 (48 to 1,034)	Manual reset	40 (276)	Lockout	250 (1,724)	140°F
P20DB-1C ³		Open on rise			100 to 425 (690 to 2,930)	Manual reset		
P20GB-1C	42 in. capillary 1/4 in. sweat tube	Single-Pole, Double-Throw (SPDT) Open on rise	100 to 425 (690 to 2,930)	Manual reset	360 (2,482)	Lockout	450 (3,103)	
P20EB-1C ⁴	36 in. capillary 1/4 in. sweat tube	SPDT	7 to 150 (48 to 1,034)	30 (172) fixed	40 (276)	70 (448)	250 (1,724)	
P20EB-18C	42 in. capillary 1/4 in. sweat tube	SPDT	7 to 150 (48 to 1,034)	22 (152) fixed	15 (103)	37 (255)	250 (1,724)	
P20EB-2C ⁵	36 in. capillary 1/4 in. sweat tube	SPDT	100 to 425 (690 to 2,930)	75 (483) fixed	400 (2,758)	324 (2,275)	450 (3,103)	

1. Mounting bracket supplied on all models.
2. Replaces Ranco® G20-4412; Robertshaw® 3126-216, 3160-212
3. Replaces Ranco G23-5253; Robertshaw 3127-220, 3161-205; Honeywell® P430X-1250, 1268, 1292, 1300
4. Replaces Ranco G20-4050; Robertshaw 3126-116, 3160-012, 3160-014; Honeywell P431X-1092, 1100
5. Replaces Ranco G23-5052; Robertshaw 3127-140, 3127-414, 3161-009; Honeywell P430X, 1235, 1243, 1276, 1284



P20 Series Air Conditioning/Pressure Cutout Control Catalog Page (Continued)

Accessories

Product Code Number	Description
210-604R	Black phenolic resin spring clip snap-on insulated terminal cover

Technical Specifications

Electrical Ratings

Motor Ratings VAC	120	208	240	277
AC Full Load A	16.0	9.2	8.0	7.0
AC Locked Rotor A	96.0	55.2	48.0	42.0
SPDT	16.0	16.0	16.0	-
Pilot Duty	125 VA at 24 VAC, 720 VA at 120 to 277 VAC			