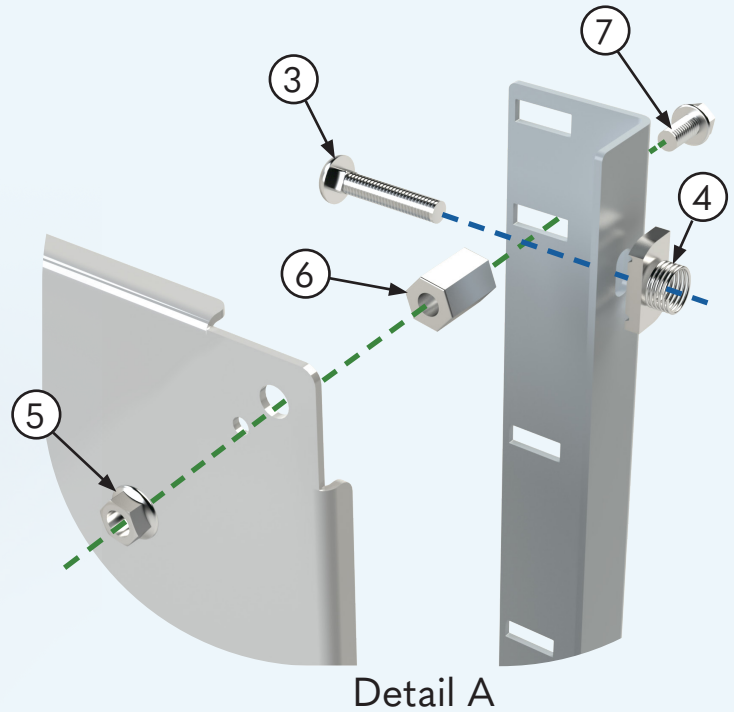
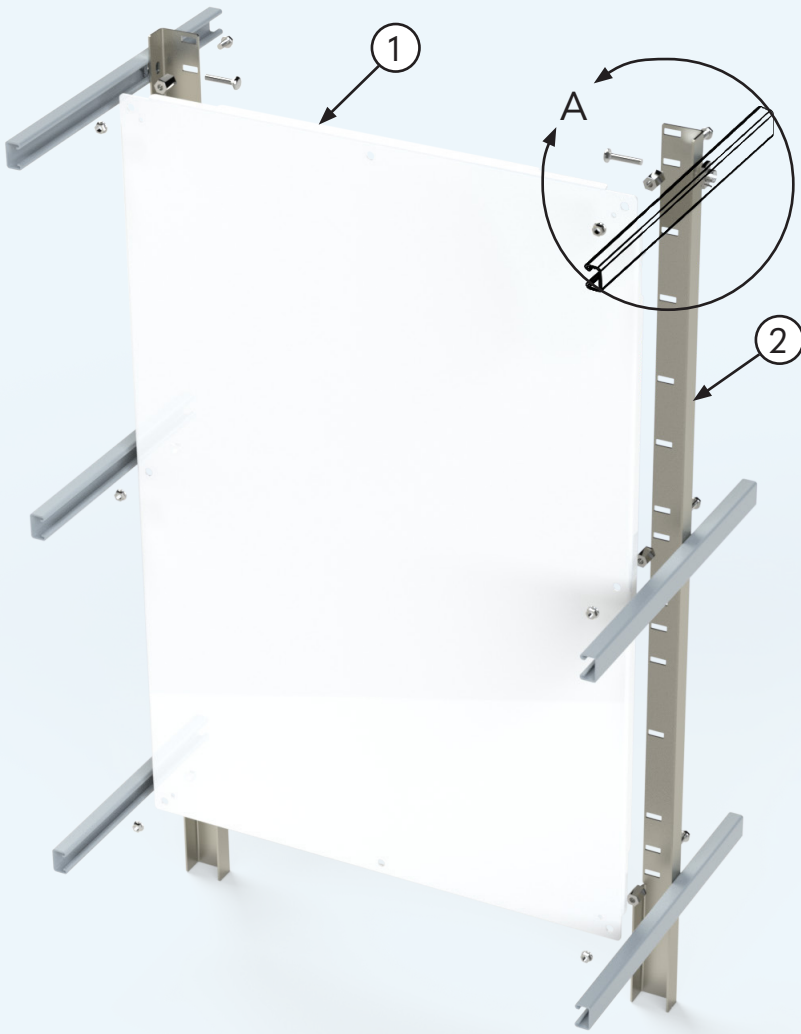


HD PANEL SUPPORT IN SINGLE DOOR FS



Your Enclosure Source®



Detail A

Installation Instructions

Item	Part Name
1	Full Panel
2	HD Panel Supports
3	Serrated Flanged Bolt
4	Channel Nut
5	Serrated Flanged Nuts
6	Coupling Nut
7	Carriage Bolt

Step 1: Attach heavy-duty panel supports (item 2) to mounting channels inside enclosure using channel nuts and bolts (items 3 & 4).

Step 2: Attach coupling nuts and carriage bolts (item 6 & 7) tightly to panel support angles where needed. Use 4 per half panel, 6 per full panel.

Step 3: Install panel(s) (item 1) using serrated flanged nuts (item 5).