

FULL SWING-OUT PANEL INSTALLATION

(FOR FREE-STANDING ENCLOSURES)



FULL SWING-OUT PANEL
FRONT ISOMETRIC VIEW



FRONT ISOMETRIC VIEW FOR REFERENCE
SHOWING FULL SWING-OUT PANEL INSTALLED

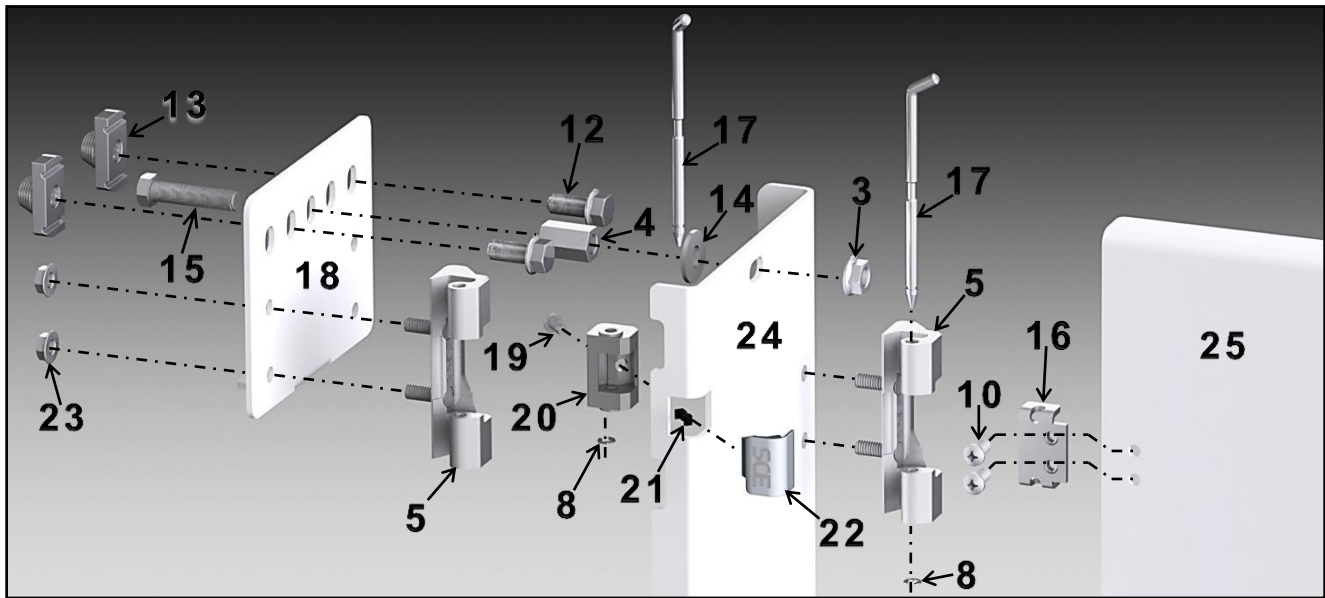


MOUNTING BRACKET & HINGE BRACKET
FRONT ISOMETRIC NON-EXPLODED VIEW



MOUNTING BRACKET & HINGE BRACKET
REAR ISOMETRIC NON-EXPLODED VIEW

FULL SWING-OUT PANEL INSTALLATION



MOUNTING BRACKET & HINGE BRACKET
FRONT ISOMETRIC EXPLODED VIEW

FULL SWING-OUT PANEL BILL OF MATERIAL			
ITEM	QTY	PART DESCRIPTION	PART ID
1	3	NUT, SERRATED FLANGE, 3/8-16 STEEL, ZINC CLEAR PLATED	100904
2	3	CHANNEL NUT, 3/8-16, 0.81 to 1.00 x 1.63in, STEEL, ZINC	100920
3	3	NUT, SERRATED FLANGE, 5/16-18 STEEL, ZINC CLEAR PLATED	100921
4	3	NUT, COUPLING, 5/16-18 x 7/8, STEEL, ZINC	101015
5	6	CONCEALED HINGE, LARGE w/ SCE LOGO, ZINC DIE CAST	101369
6	3	SUPPORT, FREE-STANDING PANEL, 5.00 x 1.75, STEEL, ZINC	101432
7	3	NUT, COUPLING, 3/8-16 x 1.13 x 0.75, STEEL, ZINC CLEAR	101663
8	6	RETAINER, E-clip, 0.03 THICK x 0.16 ID x 0.35 OD, STAINLESS STEEL	101670
9	3	BOLT, CARRIAGE, 3/8-16 x 2.00, STEEL, ZINC CLEAR	102406
10	6	SCREW, PAN HEAD PHILLIPS, 10-32 x 1/2, STEEL, ZINC CLEAR	102470
11	3	BOLT, HEX HEAD, SERRATED FLANGE, 3/8-16 x 3/4, STEEL, ZINC	102493
12	6	SCREW, HEX HEAD, SERRATED FLANGE, 5/16-18 x 3/4, STEEL, ZINC	102496
13	6	CHANNEL NUT, 5/16-18, 1.38 to 1.63 x 1.63, STEEL, ZINC	108141
14	3	WASHER, FLAT, 0.31, STEEL, ZINC CLEAR	109205
15	3	SCREW, HEX HEAD, FULL THREAD, 5/16-18 x 1.50, STEEL, ZINC CLEAR	112052
16	3	CONCEALED HINGE, BOLT ON TAB, STEEL, ZINC PLATED CLEAR	114875
17	6	HINGE PIN, SCE LARGE CONCEALED, 4.00 x 0.195, STAINLESS STEEL	101221
18	3	MOUNTING BRACKET, SWING-OUT PANEL	123214
19	3	SCREW, BUTTON HEAD TORX, 10-32 x 3/8, STAINLESS STEEL	102483
20	3	INNER HINGE, 1.36 x 0.73, ZAMAK 5 ZINC, TRIVALENT CROMATE w/E-SEAL	126393
21	3	HINGE PIN RETAINER	126397
22	3	LARGE OUTER HINGE, 1.00 x 0.655, ZAMAK 5, TRIVALENT CROMATE	128257
23	12	NUT, SERRATED FLANGE, 1/4-20 STEEL, ZINC CLEAR PLATED	100882
24	1	HINGE BRACKET, SWING-OUT PANEL	NA
25	1	PANEL, SWING-OUT PANEL	NA

SWING-OUT PANEL
AND SUPPORT
FRONT ISOMETRIC
EXPLODED VIEW

