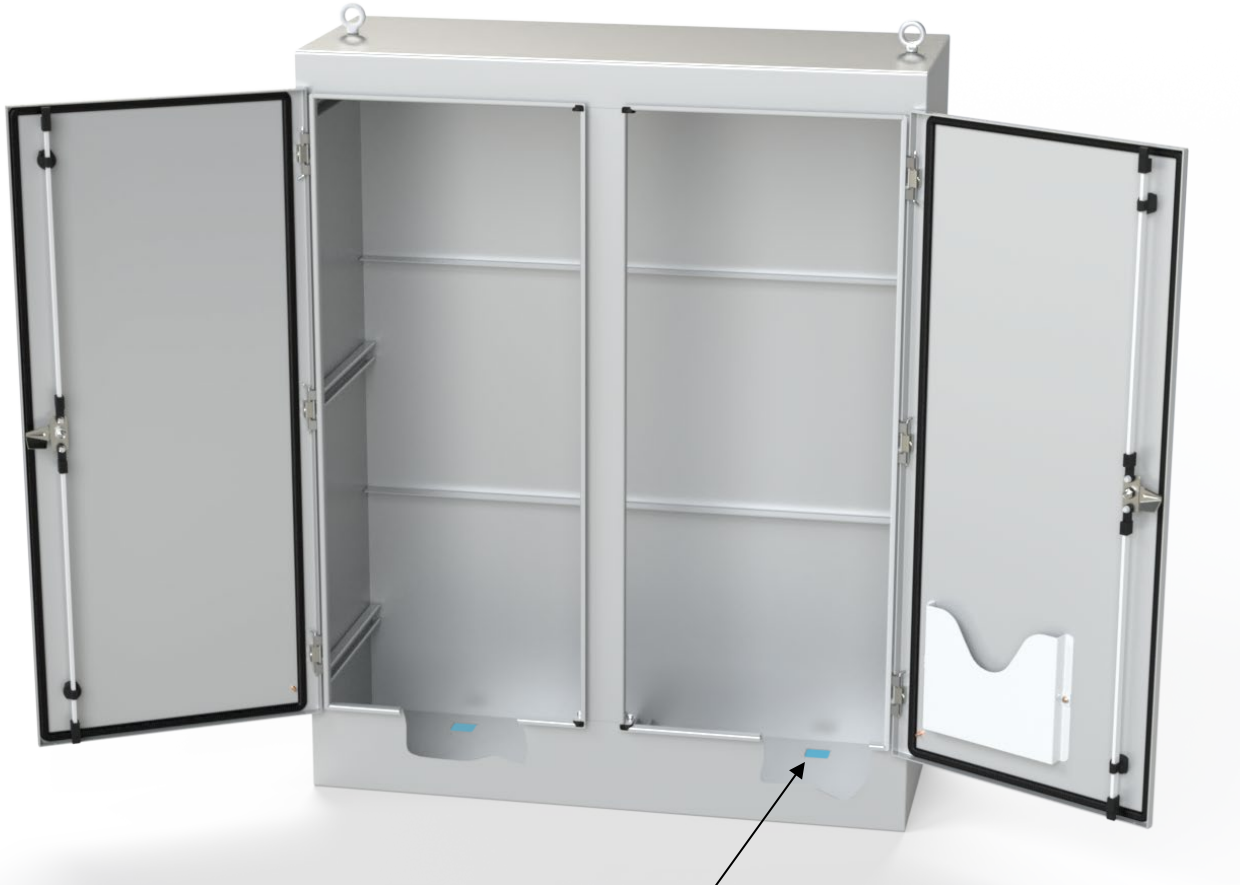


# SCE-HS2S HOLE SEAL

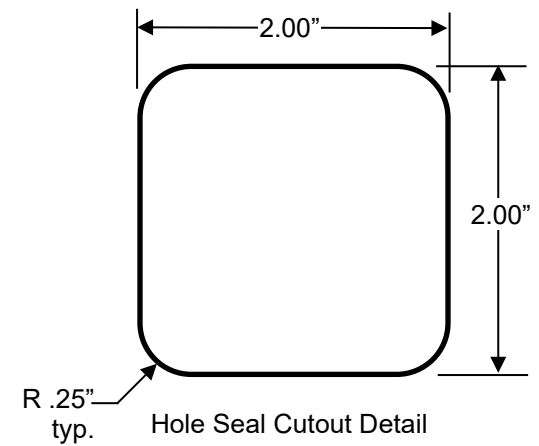
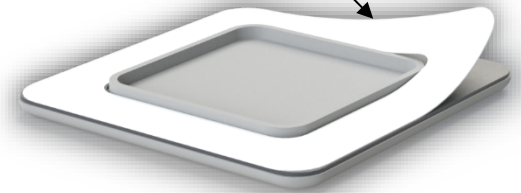
**CALUS**  
**E69392**

For Use On Enclosures  
Rated Type 1, 3, 3R, 3S, 4, 4X & 12



For use in the floor of  
the enclosure only.

Remove protective backing from the  
gasket prior to installation.



Sealing surface of enclosure to be cleaned thoroughly with a 50/50 isopropyl (rubbing alcohol) water mixture, or similar cleaning solvent and wiped dry. Apply firm pressure to the entire bond line. Min. dwell time of 72 hours for full adhesion.