

# Current Transducers: 4-20mA Analog Output

## H721xC Series & H921



H721HC



H921



### SPECIFICATIONS

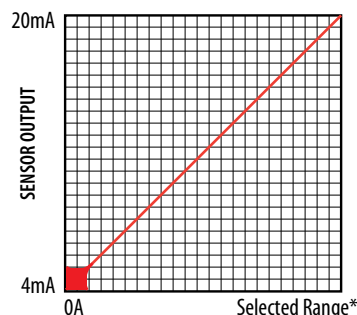


<b>Sensor Power</b>	30mA (max)@12-30VDC
<b>Insulation Class</b>	600VAC RMS (UL), 300VAC RMS (CE)
<b>Frequency</b>	50/60 Hz
<b>Temperature Range</b>	-15° to 60°C (5° to 140°F)
<b>Humidity Range</b>	10-90% RH non-condensing
<b>Accuracy</b>	±2% F.S. from 10% to 100% of selected range, but not less than ±0.4A
<b>Response Time</b>	2 sec.
<b>Terminal Block Wire Size</b>	24-14 AWG (0.2 to 2.1 mm <sup>2</sup> )
<b>Terminal Block Torque</b>	3.5 to 4.4 in-lbs (0.4 to 0.5 N-m)
<b>Agency Approvals</b>	UL 508 open device listing; CE: EN61010-1, CAT III, pollution degree 2, basic insulation



### EXAMPLE LINEAR OUTPUT

Scale software as shown



\*Factory calibrated ranges selected with the amperage range switch

## Load Trending With 4-20mA Output

### FEATURES

- Power the sensor, and receive the signal with only two wires... lower cabling and commissioning costs than with traditional 3-wire sensors
- Self-gripping, split-core design for fast retrofit installation...no need to remove conductor (H921)
- Economical solid-core features adjustable bracket for easy alignment (H721 Series)
- Factory calibrated switch-selectable ranges for high resolution and installation ease
- Three field-selectable ranges per unit...fewer versions to choose from, stock, and install
- Removable mounting bracket for installation flexibility
- Bracket on H921 can be installed in three different configurations...added flexibility
- 100% solid state, no moving parts to fail
- 5-year warranty

### DESCRIPTION

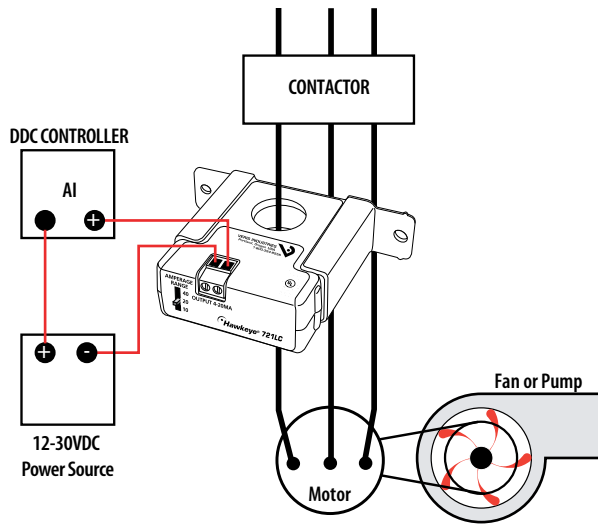
The **Hawkeye 721LC, 721HC, and 921** provide accurate load trending information with a proportional 4-20mA output signal. Preset slide-switches provide easy field setup of sensed amperage range with no need for jumpers.

### APPLICATIONS

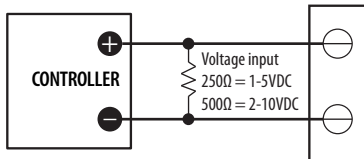
- Load trending
- Motor control
- Fan/Pump Status

WIRING DIAGRAMS

Monitoring Fan / Pump Motors for Positive Proof of Flow

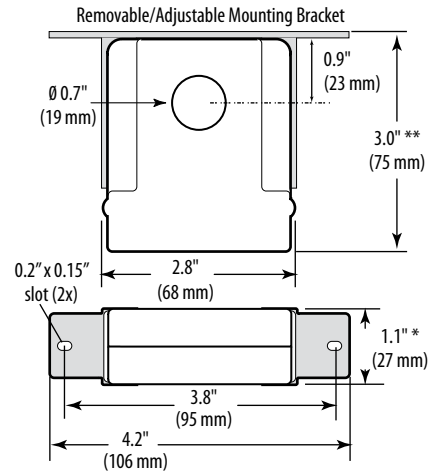


Voltage Output

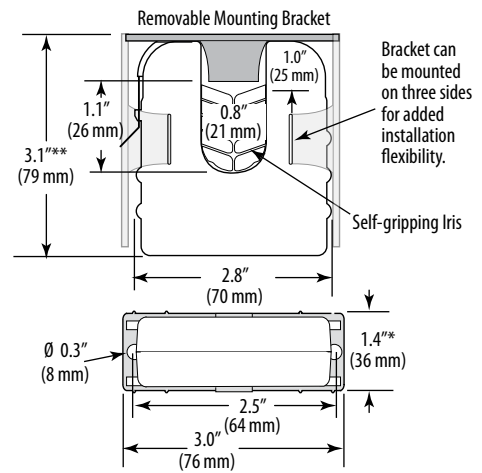


DIMENSIONAL DRAWINGS

H721LC/H721HC



H921



\* Terminal block may extend up to 1/8" over the height dimensions shown.  
 \*\* Slide switch may extend up to 1/4" over the height dimensions shown.

ORDERING INFORMATION



MODEL	AMPERAGE RANGE	SENSOR OUTPUT	HOUSING	UL	CE
H721LC	0 - 10/20/40A	4-20mA DC	Solid-Core	●	●
H721HC	0 - 50/100/200A		Solid-Core	●	●
H921	0 - 30/60/120A		Split-Core	● 1	●

1 Listed for use on 75°C insulated conductors.  
 Note: For 10-80 Hz applications, see the H720 VFD sensor.

ACCESSORIES

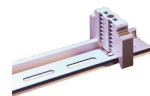
DIN Rail Clip Set (AH01)  
 DIN Rail (AV01) and DIN Stop Clip (AV02)



AH01



AV01



AV02