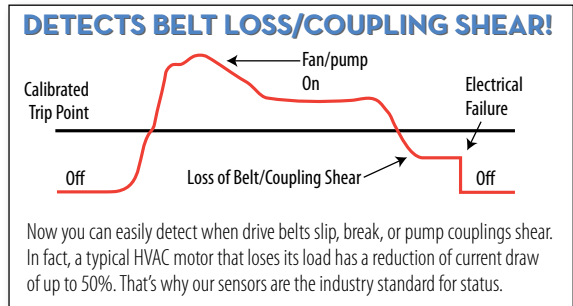


# Current Switches with Relay: Adjustable Trip Point

## H735, Hx38, Hx48, Hx58 Series



### SPECIFICATIONS



<b>Sensor Power</b>	Induced from monitored conductor
<b>Insulation Class</b>	600VAC RMS
<b>Frequency Range</b>	50/60 Hz
<b>Temperature Range</b>	-15° to 60°C (5° to 140°F)
<b>Humidity Range</b>	10-90% RH non-condensing
<b>Hysteresis</b>	10% Typical
<b>Terminal Block Wire Size</b>	24-14 AWG (0.2 to 2.1 mm <sup>2</sup> )
<b>Terminal Block Torque</b>	3.5 to 4.4 in-lbs (0.4 to 0.5 N-m)
<b>Agency Approvals</b>	UL 508 open device listing, CAT III, pollution degree 2, basic insulation

Do not use the LED status indicators as evidence of applied voltage.

### RELAY CONTACT RATINGS

<b>H735 (SPST, N.O.)</b>	
Resistive.....	5A@250VAC, 30VDC
Inductive.....	3A@250VAC, 30VDC
<b>Hx38, Hx58 (SPST, N.O.)</b>	
Resistive.....	10A@250VAC, 30VDC
Inductive.....	5A@250VAC, 30VDC
<b>Hx48 (SPDT)</b>	
Resistive.....	8A@250VAC, 30VDC
Inductive.....	3.5A@250VAC, 30VDC

### TYPICAL COIL PERFORMANCE

Voltage	AC	DC
24V.....	10mA	10mA
12V (Hx58).....		20mA
<b>Pull In Voltage</b>		
Hx3x .....		20.1VDC
Hx48 .....		20.1VDC
Hx58 .....		8.4VDC
<b>Drop Out Voltage</b>		
Hx3x .....		5.2VDC
Hx48 .....		5.2VDC
Hx58 .....		3.0VDC

## Status & Control In One Package

### FEATURES

- Combines command relay and fan/pump status sensor in a single, easy to install unit
- Reduces number of components installed...fits better in small starter enclosures
- Detect belt loss and motor failure...ideal for fan and pump status
- H748 and H948 feature a SPDT command relay...control two outputs with a single relay
- Bracket on H938, H948, and H958 can be installed in three different configurations...added flexibility
- Reduced charges from electrician
- Relay and status LEDs for easy setup
- Polarity insensitive status output...fast and easy installation
- Adjustable setpoint for current sensor status...fits many applications
- 5-year warranty

### DESCRIPTION

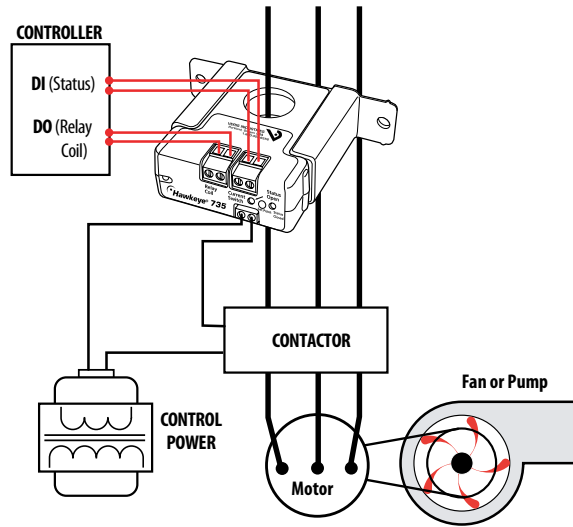
The Hawkeye Relay Combination Series is the ideal solution for the automation installer. These units combine a current switch and relay into a single package, reducing the space required for total control of fans and pumps. The current switch and relay operate independently of one another. These devices allow start/stop control and status monitoring with one device instead of two.

### APPLICATIONS

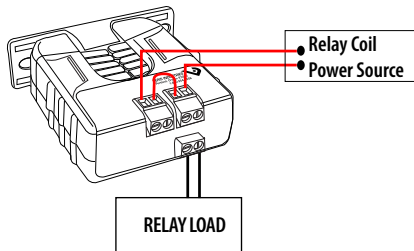
- Starting/stopping and monitoring positive status of motors
- Detecting belt loss and coupling shear

**WIRING DIAGRAMS**

Start/Stop Monitoring of Fan /Pump Motors

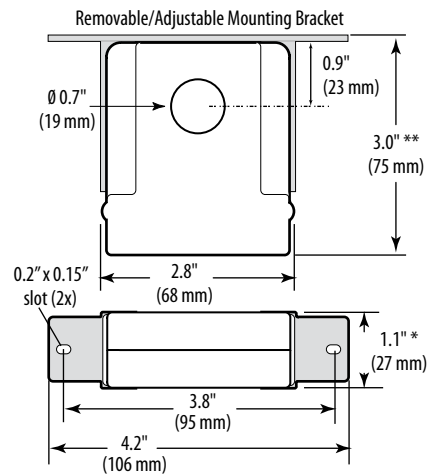


Relay Controlled Directly by Status Contacts

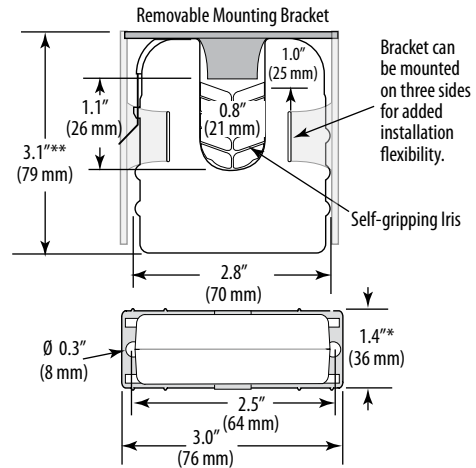


**DIMENSIONAL DRAWINGS**

H735/738/748/758



H938/948/958



\* Terminal block may extend up to 1/8" over the height dimensions shown.

**ORDERING INFORMATION**



MODEL	AMPERAGE RANGE	STATUS OUTPUT(max.)	MIN. TRIP POINT	RELAY	COIL VOLTAGE	HOUSING	STATUS LED	RELAY POWER LED	UL
H735	1 - 135A	0.1A@30VAC/DC	1A or less	SPST, N.O.	24VAC/DC	Solid-core	●	●	●
H738	1 - 135A		1A or less	SPST, N.O.	24VAC/DC	Solid-core	●	●	●
H748	1 - 135A		1A or less	SPDT	24VAC/DC	Solid-core	●	●	●
H758	1 - 135A		1A or less	SPST, N.O.	12VDC nom.	Solid-core	●	●	●
H938	2.5 - 135A	1.0A@30VAC/DC	2.5A or less	SPST, N.O.	24VAC/DC	Split-core	●	●	●
H948	2.5 - 135A		2.5A or less	SPDT	24VAC/DC	Split-core	●	●	●
H958	2.5 - 135A		2.5A or less	SPST, N.O.	12VDC nom.	Split-core	●	●	●

**ACCESSORIES**

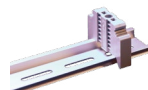
DIN Rail Clip Set (AH01)  
DIN Rail (AV01) and DIN Stop Clip (AV02)



AH01



AV01



AV02