



# Wireless Wall Mount Temperature Sensor

**Aerospond**  
**TWXW Series**



## SPECIFICATIONS

INPUTS	
<b>Input Voltage</b> <i>Battery Option</i> <i>External Power Option</i>	Two 1.5 V AA lithium/iron disulfide batteries (3000 mAh min.) 12-30VDC/24VAC ±20%, 50/60 Hz, Class 2
<b>Setup</b>	Pushbutton setup
OUTPUTS	
<b>Wireless</b>	802.11 B/G 2.4 GHz radio
<b>Battery Indicator (Battery Option Only)</b>	Indicates low battery power (read by Gateway or JACE)
<b>Temperature Output Range</b>	Configurable in software: 0° to 50°C (32° to 122°F) or 10° to 35°C (50° to 95°F)
ACCURACY	
<b>Temperature</b>	±0.75°C (typical)
OPERATING ENVIRONMENT	
<b>Operating Temperature Range</b>	0° to 50°C (32° to 122°F)
<b>Storage Temperature Range</b>	-40°C to 50°C (-40°F to 122°F)
COMPLIANCE INFORMATION	
<b>Agency Approvals</b> <i>Battery models</i> <i>All models</i>	EN61010-1; ETL Listed to UL 60950-1 CE
WARRANTY	
<b>Limited Warranty</b>	5 years*

\* Five-year warranty is for the device only. In battery models, they battery may need replacement at intervals shorter than five years, depending on how the device is configured.

## Collects Environmental Data and Transmits Over Wi-fi Network

### FEATURES

- Wall mount...easy installation in a low-profile housing
- Battery model is simple to power...AA battery power with up to five year life (with transmission interval set at 5 minutes)
- Direct integration to a Veris U027-0001 wireless gateway or JACE controller
- No wiring required (battery model)...reduced labor and cost
- Fast installation...reduced downtime for deployment

### DESCRIPTION

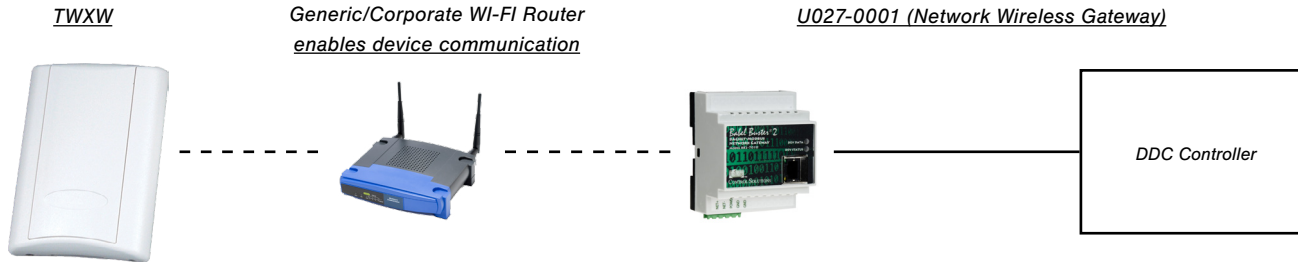
**Aerospond TWXW Series** wall mount temperature sensors offer a new method for monitoring and controlling indoor temperature conditions. The TWXW transmits this information over the building's existing wireless network to a wireless gateway device, which communicates with the building control system, or to a JACE controller for direct integration.

### APPLICATIONS

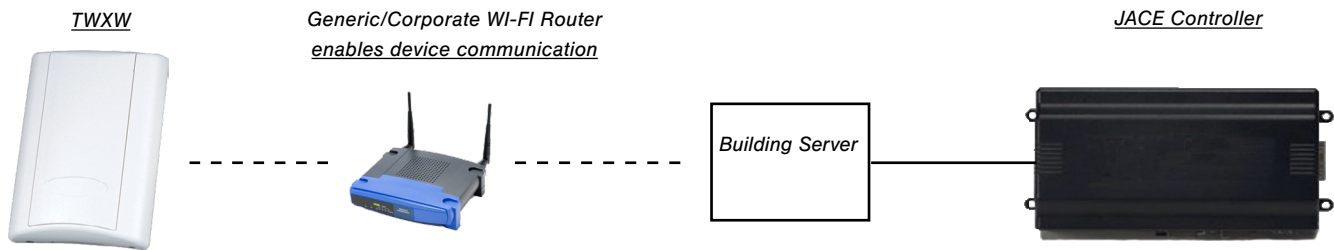
- Controlling HVAC systems for improved comfort & energy savings
- Museums, schools, printing shops, hospitals, data centers, & other locations that require temperature control
- Facilitating compliance with ASHRAE standards for environmental control and indoor air quality

**APPLICATIONS**

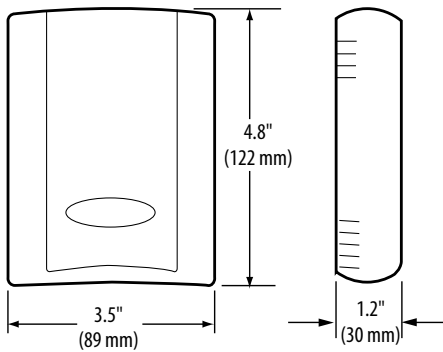
*Option 1: Integration to Building Control Using a Network Wireless Gateway*



*Option 2: Direct Integration Using a JACE Controller*



**DIMENSIONAL DRAWING**



**ORDERING INFORMATION**



Local Display      Wireless

TW      X      W      XX

= No Display      = Wireless

**ACCESSORIES**

Programming Cable (AWB01)

Network Wireless Gateway (U027-0001)

JACE Driver (AWB04, available for free download from the Veris website)



AWB01



U027-0001