

# Bourdon Tube Pressure Gauge Type 213.53DW, Stainless Steel Case Drinking Water Series - Liquid Filled

WIKA Datasheet 213.53DW

## Applications

- Intended for adverse service conditions where pulsating or vibration exists (with liquid filling).
- Safe for applications where water is anticipated to be used for human consumption.
- For applications in which products must comply with the 2014 US Safe Drinking Water Act and NSF 61/372.

## Product Features

- Vibration and shock resistant (with liquid filling).
- Stainless steel case.
- Brass wetted parts with lead content  $\leq 0.25\%$ .
- NSF/ANSI 61 listed and certified to NSF/ANSI 372 and conforms with the lead content requirements for lead-free plumbing as defined by California, Vermont, Maryland, and Louisiana state laws and the U.S. Safe Drinking Water Act.



Bourdon Tube Pressure Gauge Model 213.53DW

## Specifications

### Design

ASME B40.100 & EN 837-1

### Sizes

$\pm 2\frac{1}{2}$ " (63 mm)

### Accuracy class

$\pm 2/1/2\%$  of span (ASME B40.100 Grade A)

### Ranges

Vacuum/Compound to 200 psi (16 bar)  
Pressure from 15 psi (1 bar) to 600 psi (40 bar) or other equivalent units of pressure or vacuum

### Working pressure

$2\frac{1}{2}$ " Steady:	$\frac{3}{4}$ full-scale value
Fluctuating:	$\frac{2}{3}$ full-scale value
Short time:	full-scale value

### Operating temperature

Ambient: -40°F to +140°F (-40°C to +60°C) - dry  
 -4°F to +140°F (-20°C to +60°C) - glycerine filled  
 -40°F to +140°F (-40°C to +60°C) - silicone filled  
 Medium: +140°F (+60°C) maximum

### Temperature error

Additional error when temperature changes from reference temperature of 68°F (20°C)  $\pm 0.4\%$  of span for every 18°F (10°K) rising or falling.

### Weather protection

Weather tight (NEMA 4X / IP 66)

### Pressure connection

Material: Lead-free copper alloy (lead content  $\leq 0.25\%$ )  
 Lower mount (LM) or center back mount (CBM) - 2" &  $2\frac{1}{2}$ "  
 $\frac{1}{4}$ " NPT

**Bourdon tube**

Material: Lead-free copper alloy

**Solder**

No-lead solder

**Movement**

Copper alloy

**Dial**

White ABS

**Pointer**

Black aluminum

**Case**

304 stainless steel with vent plug and stainless steel crimp ring. Case connection sealed with O-ring, (O-ring material dependent on the case fill):

**Window**

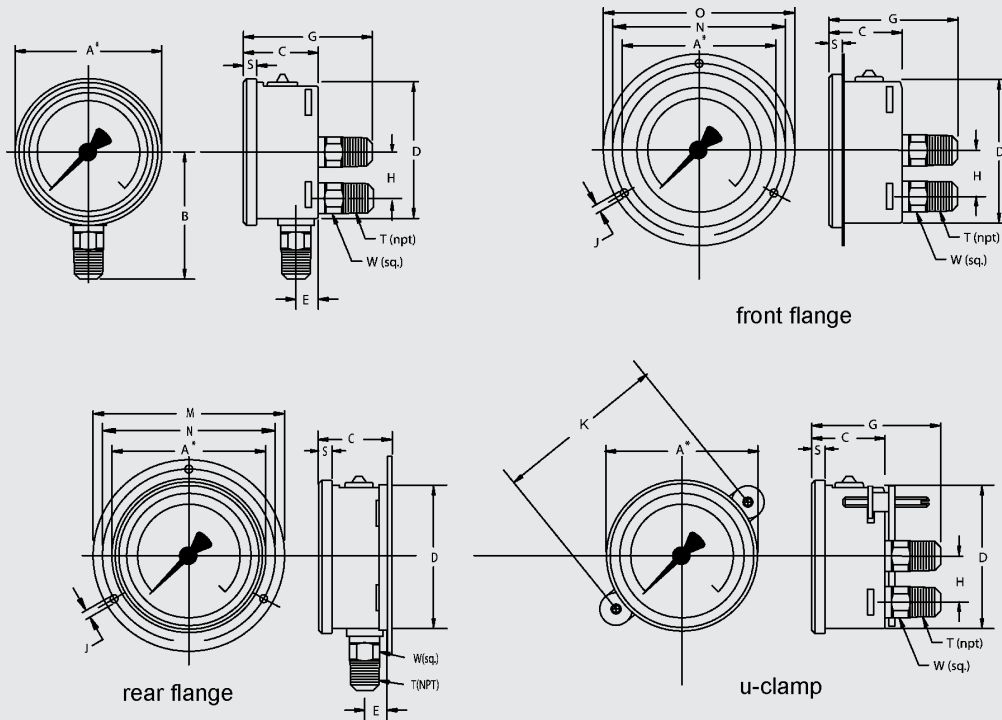
Polycarbonate with Buna-N gasket

**Case fill**

Glycerine 99.7%

**Optional extras**

- Brass restrictor
- Stainless steel front or rear flange
- Zinc-plated steel or SS U-clamp bracket (field installable)
- Custom dial layout
- Other pressure scales available:  
bar, kPa, MPa, kg/cm<sup>2</sup> and dual scales

**Dimensions**

Size		(Standard Version)															Weight	
		A	B	C	D	E	G	H	J	K	M	N	O	S	T	W		
2½"	mm	69	54	32	62	13	54	-	3.6	72	88.1	75	85	6.5		14		
	in	2.69	2.13	1.26	2.45	0.51	2.13	-	0.14	2.83	3.47	2.95	3.35	0.26	¼"	0.55	0.44 lb.	filled

Recommended panel cut-out:

2½" - U-clamp: 63mm

front flange: 65mm

**Ordering information**

Pressure gauge model / Nominal size / Scale range / Size of connection / Optional extras required.  
Specifications and dimensions given in this leaflet represent the state of engineering at the time of printing.  
Modifications may take place and materials specified may be replaced by others without prior notice.

Copyright 2015 WIKA Instrument, LP. All rights reserved.

**WIKAL Instrument, LP**

1000 Wiegand Boulevard  
Lawrenceville, GA 30043

Tel (770) 513-8200 Toll-free 1-888-WIKA-USA

Fax (770) 338-5118

E-Mail info@wika.com

www.wika.com